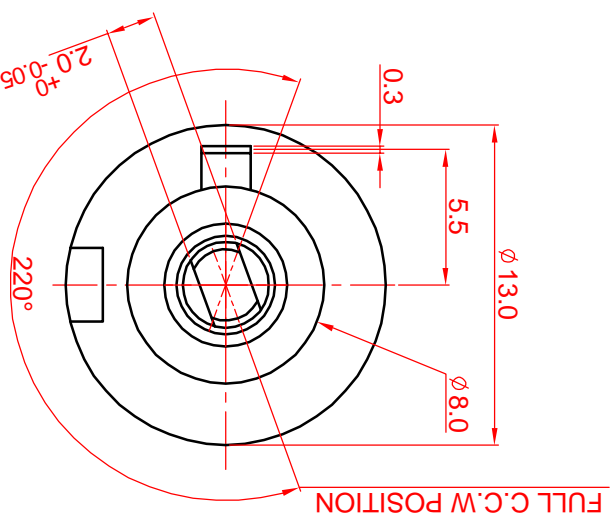
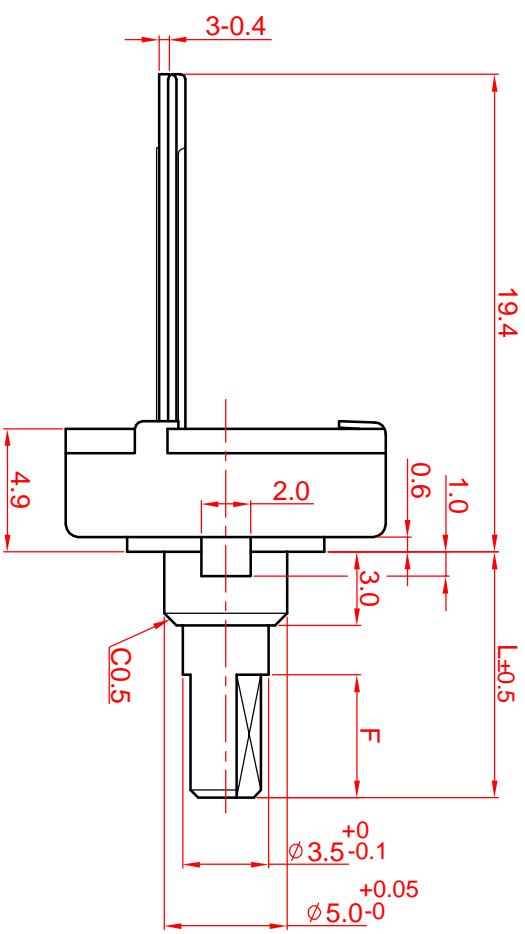


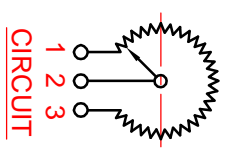
P.C.B MOUNTING HOLES DETAIL



SHAFT LENGTH:

CODE	10T	10T6	15T
L	10	10	15
F	5.0	6.0	5.0

NOTE:
CARBON ANGLE: 210° +6°



1 2 3
CIRCUIT

RoHS Compliance

△			Third Angle Projection																	
△	2007.8.21	Liu Zhong Tua	品名更改,原:13M1VB-D3-10T- 首次出圖	16Y																
△	2005.1.4	Wang Wen Juan																		
	CODE NO.	Pot/Rotary/13M/13mm/Spec			MODLE NAME	13M1VB-D3-			-16Y											
	PATH :				DRAWING NO.	13M-16Y-02														
	TOLERANCES	less than 10			APPROVED SIGNATURES	DRAWN BY			CHECKED BY	APPROVED BY	SCALE	UNIT	VERSION							
		±0.3				劉中華			周貴榮	劉中華	1/1	m/m	B							
		10-100																		
		±0.5																		
		above 100																		
		±0.8																		
		angular dimension																		
		±5°																		
			2007.8.21		2007.8.21		2007.8.21		2007.8.21											
											<p>可正欣有限公司 TOP-UP INDUSTRY CORP.</p>									