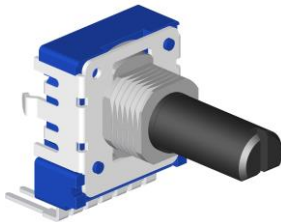




14mm Snap-in Insulated Potentiometers

RK1414G



Part Number

RK1414G – B 50K , L- 20 F

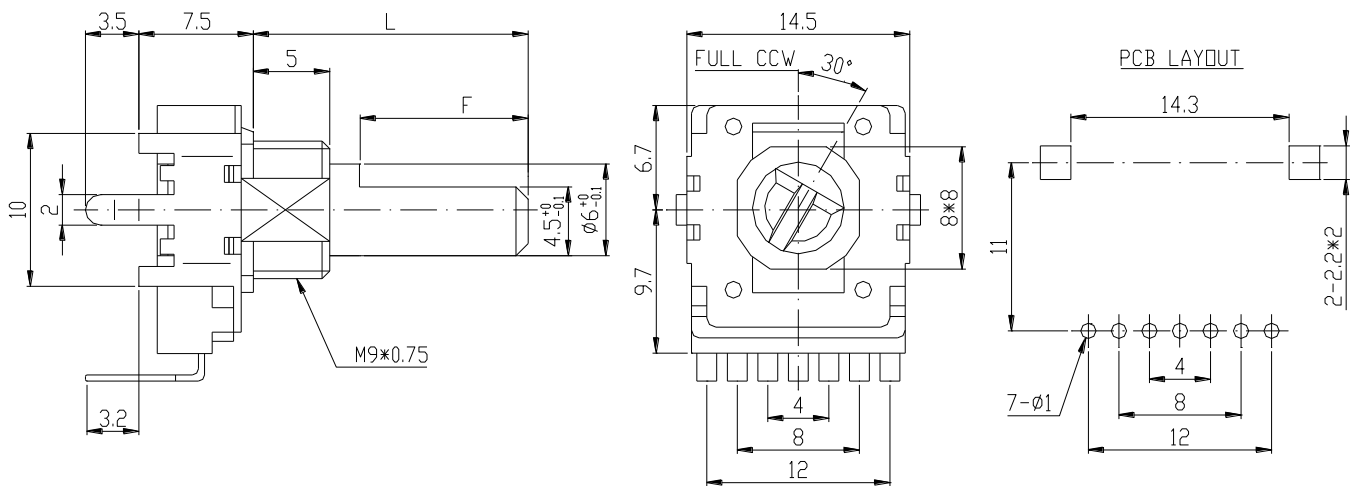
Taper

Shaft Length

Resistance value

Shaft Type

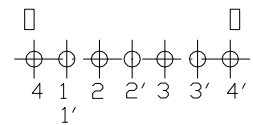
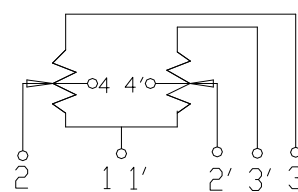
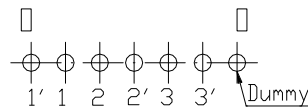
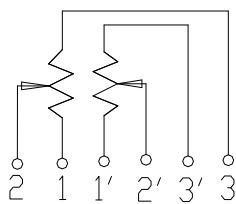
Dimensions



Circuit Explanation

Single Standard

Single Center TAP





14mm Snap-in Insulated Potentiometers

Shaft Type

KC Type					
L	12.5	15	17.5	20	25
A	7	7	12	12	12

F Type								
L	12.5	15	17.5	20	22.5	25	27.5	30
F	7	7	12	12	12	12	12	12

**14mm Snap-in Insulated Potentiometers****General**

Operating temperature	-10 °C ~ +70 °C
Manual soldering	300 °C Max 3sec

Electrical Characteristics

Total resistance	5K Ω ~ 500K Ω
Resistance tolerance	$\pm 20\%$
Resistance taper	A B C
Sliding noise	Less than 80 mV
Residual resistance	Less than 20 Ω
Insulation resistance	More than 100M Ω at DC 250V
Rated power(W)	0.05W
Max. Operating voltage	AC 50V (for AC only)
Withstand voltage	1 Minute at AC 300 V
Gang error	-40dB ~ 0dB \leq 3 dB

Mechanical Characteristics

Total rotational angle	300° \pm 5°
Rotational torque	15 ~ 150 gf.cm
Shaft push-pull strength	8Kgf.cm Max
Rotational stopper strength	6Kgf.cm Max
CC torque	<input type="checkbox"/> 50 ~ 150 gf.cm
Rotational life	15,000 Cycles.