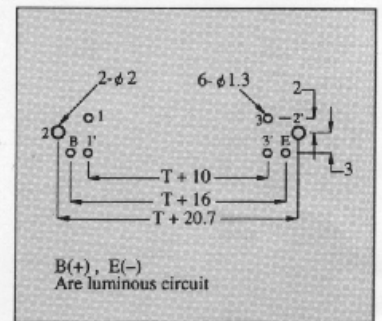
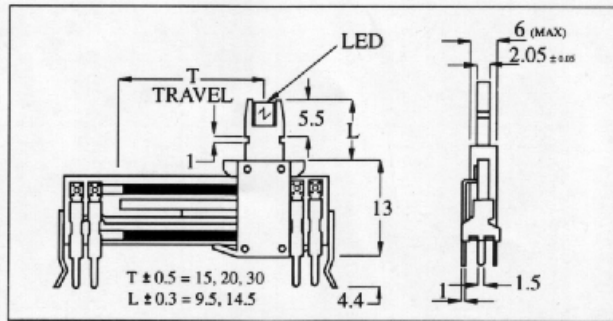
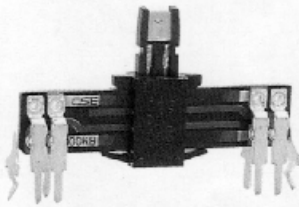


NSV □□ 4GL(V1)



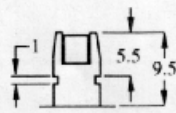
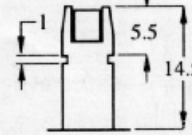
SPECIFICATIONS 特性

ELECTRICAL 電器特性					
RESISTANCE RANGE 阻值範圍	500Ω - 1MΩ				
RESISTANCE TOLERANCE 阻值誤差	± 20%				
RESISTANCE TAPER 電阻規律	A. B. C. D. W				
RESIDUAL RESISTANCE 殘留電阻 Between Terminal 1 & 2 Between Terminal 2 & 3	10Ω - 120Ω / 10Ω - 120Ω				
POWER RATING (W) 額定功率	Travel Taper	10mm	15mm	20mm	30mm
	B	0.05	0.05	0.1	0.2
	Except B	0.025	0.025	0.05	0.1
INSULATION RESISTANCE 絕緣電阻	10MΩ Min at 250V DC				
WITHSTAND VOLTAGE 耐電壓	1 Min at 250V AC				

MECHANICAL 機械特性					
TRAVEL 行程	Series	1 Series	2 Series	3 Series	4 Series
	Travel (mm)	10,15,20,30	10,20,30	10,15,20	15,20,30
OPERATING FORCE 滑動力	10 - 200 gf. cm				
CLICK FORCE 定位阻力	20 - 150 gf. cm				
STOP STRENGTH 止擋強度	3 Kgf				
LEVER WOBBLE 滑柄振幅	1.6 mm Max (Both Side)				
SLIDING NOISE 滑動噪音	100 (Mv)				

DURABILITY 耐用性	
SLIDING LIFE 滑動壽命	10,000 Cycles

SHAPE CODE :
DIMENSION

H 9.5	H14.5	LED COLOR
		RED
		GREEN
		YELLOW

Only the popular items are contained in this catalogue. For products with special specifications please contact us directly.

