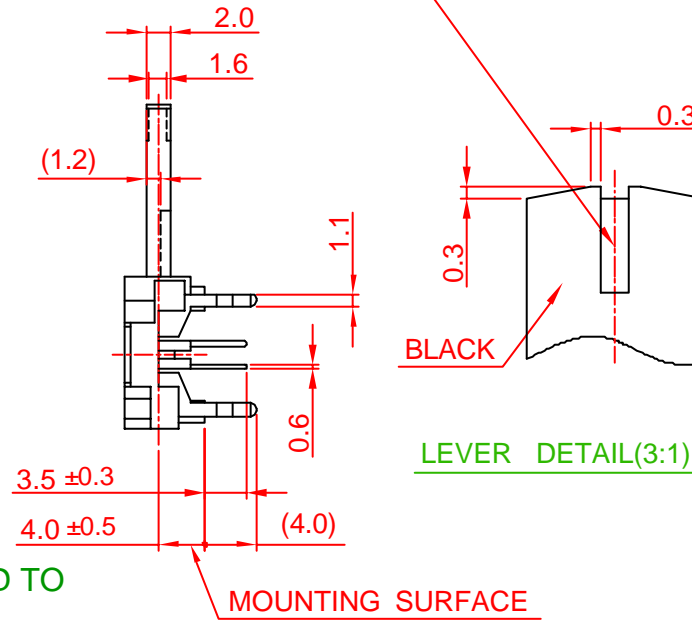
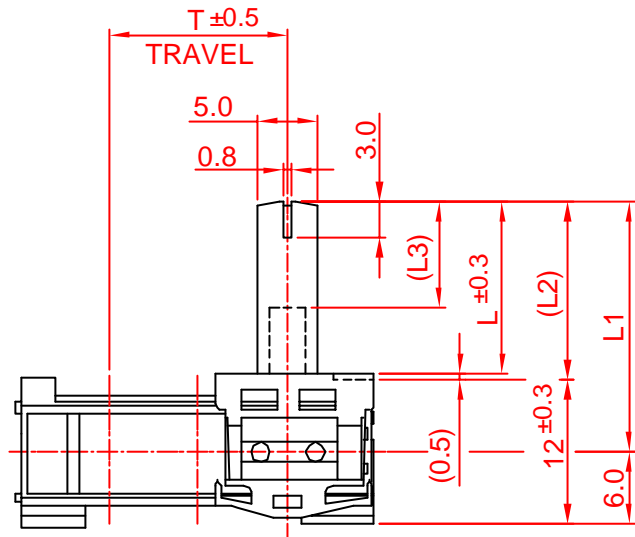
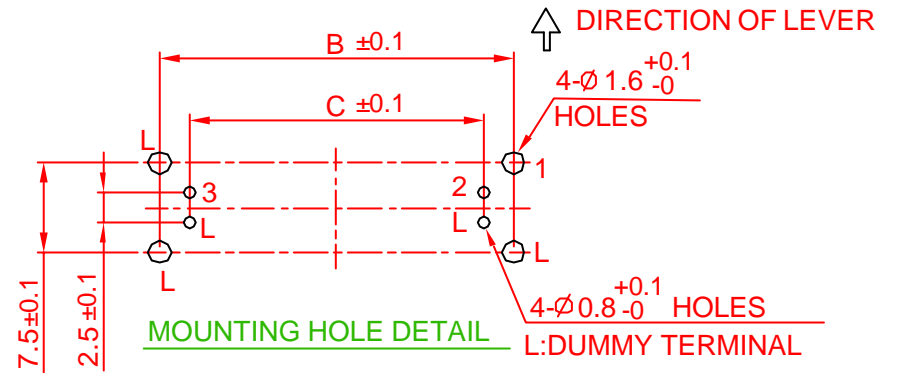


	SYMBOL	MARKER COLOR
	R	RED
	W	WHITE
	O	ORANGE
	LO	LIGHT ORANGE



T=15

L	L1	L2	L3	CLICK	A	B	C
9.5	16	10	7	---	30	30	25
14.5	21	15	9	---	↓	↓	↓
9.5	16	10	7	C.C	↓	↓	↓
14.5	21	15	9	C.C	↓	↓	↓

T=20

L	L1	L2	L3	CLICK	A	B	C
9.5	16	10	7	---	35	35	30
14.5	21	15	9	---	↓	↓	↓
9.5	16	10	7	C.C	↓	↓	↓
14.5	21	15	9	C.C	↓	↓	↓

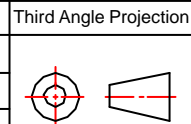
T=30

L	L1	L2	L3	CLICK	A	B	C
9.5	16	10	7	---	45	45	40
14.5	21	15	9	---	↓	↓	↓
9.5	16	10	7	C.C	↓	↓	↓
14.5	21	15	9	C.C	↓	↓	↓

NOTES: 1. TOP SIDE OF KNOB BE MOUNTED TO LEVER WITHIN 20mm LENGTH.

RoHS Compliance

CODE NO.				MODLE NAME	<input type="checkbox"/> AS1-C-J <input type="checkbox"/>		-6H			
PATH :	POT.\Slide\AS\Spec			DRAWING NO.	<input type="checkbox"/> AS-009					
TOLERANCES	APPROVED SIGNATURES	DRAWN BY	CHECKED BY	APPROVED BY	SCALE	1/1	UNIT	m/m	VERSION	A
L 10	±0.3	鐘學峰	余倩	鐘學峰						
10<L 100	±0.5									
100 <L	±0.8									
angular dimension	±5°	2008.5.23	2008.5.23	2008.5.23						



△				Third Angle Projection
△				
△				
△	2007.11.2	Zhong xue feng	首次出圖	

